



Technical Catalog for Professionals

WHITE EDITION

www.clairedeco.com

TEKNO FUNCTIONAL ROD SYSTEMS

EURO-SCOPE..... 12

INVISIBLE 9

KONTUR ALU 8

KONTUR EVO 6

NEXGEN 16

NEXGEN APPLIQUE..... 17

TEKNO 25..... 13

TEKNO 40..... 15

TEKNO 40 WOOD 14

URBAN 3 & 5..... 10

TEKNO SHARED COMPONENTS..... 22

TRADITIONAL ENSEMBLES

ADJUSTABLE ROD KITS - 5/8" - 1/2" 28

ADJUSTABLE ROD KITS - 1" - 7/8" 29

ARTIFIL KITS..... 38

BRASS 1" 35

BRASS 1 1/8" 36

BRASS 1 1/2" 37

INFINETTE MEDALLIONS 34

METRO 1 1/8" 32

SIMPLICITÉ..... 26

WROUGHT IRON 3/4"..... 30

WROUGHT IRON 1" 31

WROUGHT IRON 1 1/2" 33

BAY WINDOW PROGRAMS

BAY WINDOWS TEKNO 18

 KONTUR ALU..... 8

 KONTUR EVO..... 6

 TEKNO 25..... 13

BAY WINDOWS TRADITIONAL 19

 ADJUSTABLE ROD KITS - 5/8" - 1/2" 28

 ADJUSTABLE ROD KITS - 1" - 7/8" 29

 SIMPLICITÉ..... 26

 WROUGHT IRON 3/4" 30

SUPPORTS

TEKNO FUNCTIONAL ROD SYSTEMS..... 21

TRADITIONAL ROD SYSTEMS..... 20

TECHNICAL INFORMATION FOR TEKNO PRODUCTS..... 23

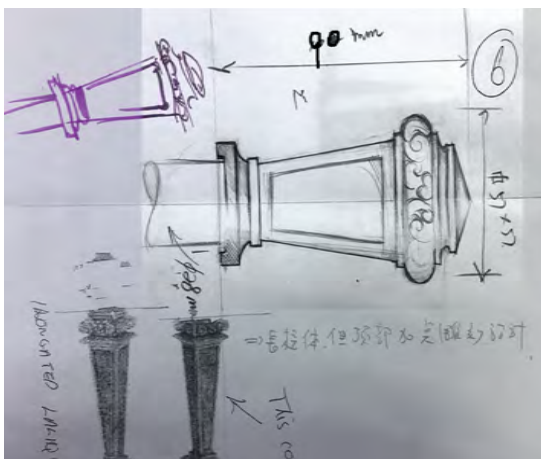
Local | Canadian | Family

In 1992, brothers Ian and Joel decided to profit from an abundance of historical metal manufacturing and workmanship knowledge existing in Montreal, Quebec. This local industry allowed Claire deco to create a leading drapery hardware company.

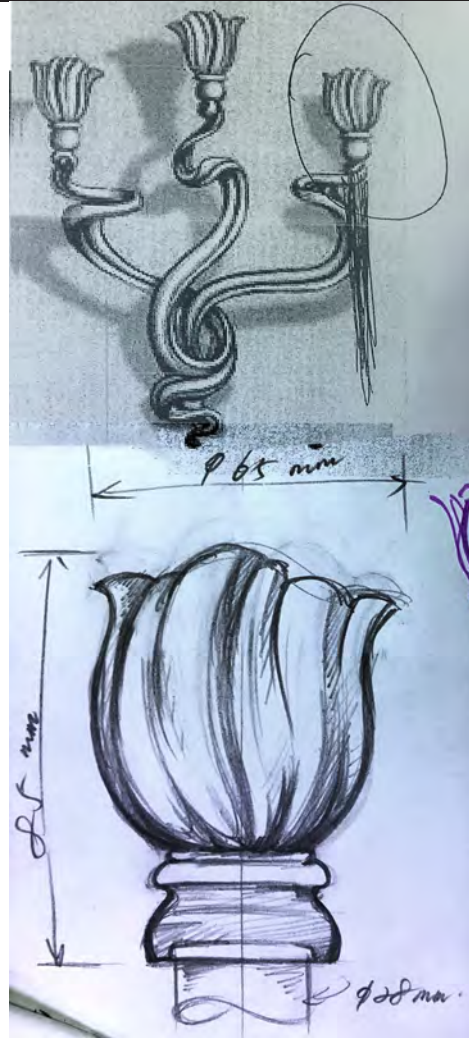
Since then, Claire Deco has strongly believed in the “Shop Local” philosophy long before it became a trendy term. Claire Deco has continued to develop loyal relationships with local suppliers in Quebec, Canada and North America. We believe this desire to buy local contributes to the quality of our products, which to Ian and Joel, is more important than saving a few pennies at the expense of local jobs.

Today Claire Deco can proudly claim that 70% of its products are sourced within 100km of Montreal. Not only is an attitude like this great for the local economy as it encourages local manufacturing knowledge that has been passed down through generations, but it also reduces our carbon footprint and reduces waste.

Claire Deco is proud to claim one of the **largest selections of drapery hardware in North America**, if not the largest. Due to our unique just in time inventory systems, Claire Deco can deliver over **ONE MILLION** combinations of products within a very reasonable delivery time.



Claire Deco is devoted to customer satisfaction. We take great pride in ensuring our customers have a positive experience in furnishing their homes with our products. As a family owned and operated business, we understand that the home is a special place for building lasting memories and we intend for our products to contribute to that experience.



**FAMILY
RUN**



**CANADIAN
SOURCED**



**ARTISAN
BUILT**



**SINCE
1996**

WAVE DRAPE HOOK SYSTEM

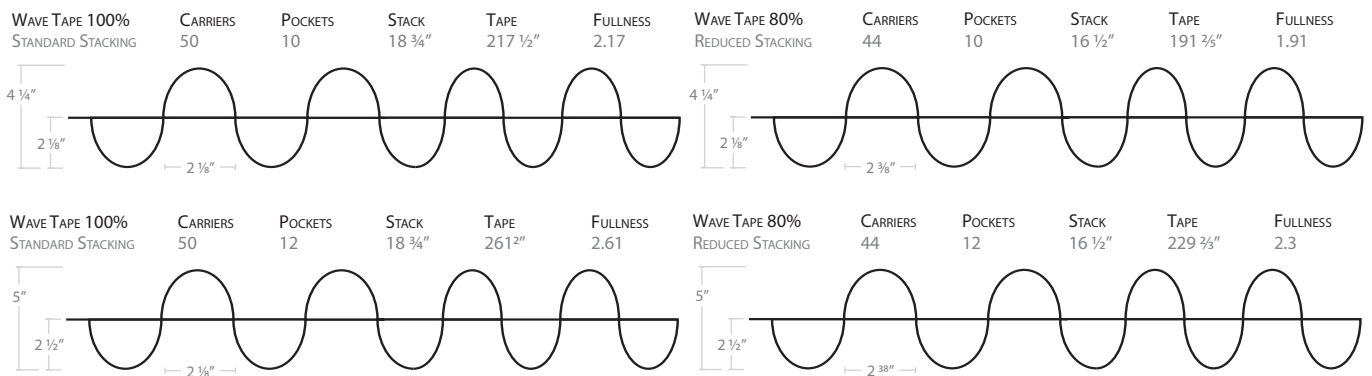


Wave Drape carriers use a unique **hook system** as opposed to the traditional snaps.

- Wave Hooks allow for more flexibility and ease of use.
- Easy installation, no force required to place hooks.
- Drapes can be washed even with hooks installed.
- Multiple fullness: 1.8 to 2.7 fullness.
- Change hook placements quickly after drape is made.

i Easily compute quantities using our online wave calculator for any rod length

WAVE DRAPE ADVANTAGE™



AVAILABILITY CHART

	EURO-SCOPE, TEKNO 25, TEKNO 40 WOOD, KONTUR ALU, URBAN 3 & 5		KONTUR EVO		TEKNO 40, NEXGEN, NEXGEN WOOD	
	Hand Draw	Corded	Hand Draw	Corded	Hand Draw	*Corded
Standard Wave Carrier	Y	Y	Y	N	Y	Y
Snap Carrier	Y	Y	Y	N	Y	Y
Deluxe Wave	N	N	N	N	Y	Y
Deluxe Snap	N	N	N	N	Y	Y

***NEXGEN CORDED TRACKS:**

MASTER CARRIERS WILL BE WITH A REGULAR FLAT OVERLAP.



i **Hidden Tab Tape** creates an undulating appearance with minimal work.



i **California Pleat Tape** creates a unique knife edge pleat.

HOOKS, CARRIERS AND TAPE

STANDARD WAVE™ CARRIERS



HMP5180	80%
HMP5060	100%
HMP5140	120%

Hooks included

DELUXE WAVE CARRIER



HMP5570	80%
HMP5500	100%
HMP5510	120%

*Only for Nexgen, Nexgen Wood and Tekno 40 rails
Hooks included*

STANDARD SNAP CARRIERS



HMP5080	80%
HMP5200	100%
HMP5120	120%

DELUXE SNAP CARRIERS



HMP5580	80%
HMP5540	100%
HMP5590	120%

Only for Nexgen, Nexgen Wood and Tekno 40 rails

FRONT LOAD SNAP CARRIERS



HMP5390-W	80%
HMP5300-W	100%
HMP5370-W	120%



HMP7080
WAVE TAPE
Hooks not included



HMP7070
SNAP TAPE



HMP7060
HIDDEN TAB TAPE



HMP7100
CALIFORNIA PLEAT TAPE



HMP5090
WAVE HOOK
(100 per box)

i

**Questions?
Comments?
Need help?**

Visit
clairedeco.com

Call us
514-340-1250
or
1-800-361-4584

Send us an
email
info@clairedeco.com

KONTUR EVO



VISIT
WWW.CLAIREDECO.COM
 FOR ALL AVAILABLE SIZES AND OPTIONS

ROD COLORS



BW
BARN WOOD

CL
CHOCOLATE

CS
CASSIS

CT
COTTON

DK
DUSK

E
EBONY

I
IVORY



MC
MONACO

MD
MIDNIGHT

PR
PEARL

SM
SMOKE

TR
TRUFFLE

WE
WENGE

WF
WINTER FUN

i

Made from **Canadian Poplar Wood** and covered with high density **Tekno Wrap**.

Supports for Euro-Scope see page 21.

CORDED SYSTEMS

HAND DRAW

ONE WAY

CENTER



ENSEMBLE INCLUDES:
RODDING, CLIC GLIDES, AND FLING WAND.

*EXTRA FLING WAND FOR CENTER OPENING
DRAPES IS SOLD SEPARATELY.*



ENSEMBLE INCLUDES:
RODDING, CLIC GLIDES, AND PULLEY



KONTUR EVO

FINIALS



Available colors
Endcaps, Overture & Flex corner

HTP0010 - ENDCAP
HTP0040 - OUVERTURE (PAIR)



A
ANTIQUE



BN
BURNT NICKEL



CR
CHROME



G
GRAPHITE



S
STAINLESS



SH
SAHARA



VB
VINTAGE BRASS

RETURNS



FLEX CORNER
HTP0160
*Allows flexibility in corners.
Adjustable from 10° to 80°.*



QUADRA
HTP0092 - QUADRA 2
HTP0094 - QUADRA 4
HTP0096 - QUADRA 6
*Return determined by size of support;
Kontur Support 2", 4" & 6"
Each return adds 1/4" to rod length.*

AVAILABLE COLORS: AS, DW



HTP0120
REVERSE CORNER
*Sold as ensembles with choice of support.
See price-list for ordering instructions.*



KONTUR RETURN
HTP0112 - KONTUR RETURN 2
HTP0114 - KONTUR RETURN 4
HTP0116 - KONTUR RETURN 6
*Return determined by size of support;
Kontur Support 2", 4" & 6"
Each return adds 1" to rod length.*



HTP0110
KONTUR CENTER CAP
*For rods greater than 106" the Center Cap is included automatically.
Center Caps can be ordered separately for inside installations, as a finial.*

i

See page 19
for
Kontur EVO
Bay Window
and
Corner
Program
options.

KONTUR ALU



VISIT
WWW.CLAIREDECO.COM
 FOR ALL AVAILABLE SIZES AND OPTIONS

CORDED SYSTEMS

HAND DRAW



ENSEMBLE INCLUDES:
 RODDING, CLIC GLIDES, AND FLING WAND.

EXTRA FLING WAND FOR CENTER OPENING DRAPES IS SOLD SEPARATELY..

ONE WAY



ENSEMBLE INCLUDES:
 RODDING, CLIC GLIDES, AND PULLEY

CENTER



FINIALS



RETURNS

ALU RETURN
 HTP0082 - ALU RETURN 2
 HTP0084 - ALU RETURN 4
 HTP0086 - ALU RETURN 6
Return determined by size of support; Kontur Support 2", 4" & 6"



QUADRA
 HTP0092 - QUADRA 2
 HTP0094 - QUADRA 4
 HTP0096 - QUADRA 6
Return determined by size of support; Kontur Support 2", 4" & 6"



ALU REVERSE CORNER
 HTP0120
FOR 90° ANGLES ONLY



ALU FLEX CORNER
 HTP0160
ALLOWS RAILS TO MEET AT AN ANGLE OF 10° TO 80°



COLORS

Rods,
 supports
 & finials



AS
 ANTIQUE SILVER



DW
 BLACK



HV
 HARVEST



OB
 OIL RUBBED BRONZE



TA
 TAUPE



W
 WHITE

i

Kontur Alu is a **technically intricate** feat of **engineering** for a drapery rod.

It offers **extremely strong** lateral support for wider expanses.

See page 19 for Kontur EVO Bay Window and Corner Program options.



Visit
WWW.CLAIREDECO.COM
 FOR ALL AVAILABLE SIZES AND OPTIONS

CORDED SYSTEMS

HAND DRAW ONE WAY CENTER



ENSEMBLE INCLUDES:
 RODDING, CLIC GLIDES, FLING WAND AND ENDCAPS.
**EXTRA FLING WAND FOR CENTER OPENING
 DRAPES IS SOLD SEPARATELY.**



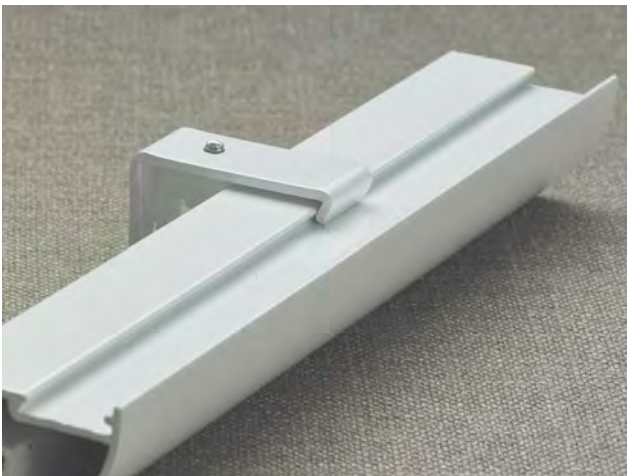
ENSEMBLE INCLUDES:
 RODDING, CLIC GLIDES, PULLEY AND ENDCAPS



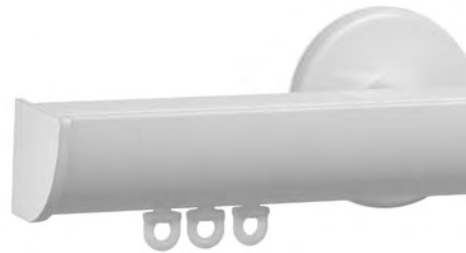
ROD, FINIAL & SUPPORT COLORS

UNOBTRUSIVE DESIGN

Invisible Tekno™ System was created to be compact for an unobtrusive design.
 A rail installed with an **Invisible Short Projection Support** projects 1 1/2" from the wall.
 A rail installed with an **Invisible Simple** or **Clic Ceiling Support** installs flush to the ceiling with zero light-gap.



W
 WHITE



AS
 ANTIQUE
 SILVER



DW
 BLACK



i Factory makes all deductions for the endcap

i

Looking for a rod that is the perfect choice for **Ceiling to Floor** curtains?

Invisible can be installed **flush** with the ceiling for **no light gap!**

VALANCE ONLY



ENSEMBLE INCLUDES:
VALANCE, 2 RETURNS, & SUPPORTS
CEILING SUPPORTS SOLD SEPARATELY.

HAND DRAW



ENSEMBLE INCLUDES:
VALANCE, RETURNS, CLIC GLIDES, FLING WAND & SUPPORTS.
CEILING SUPPORTS SOLD SEPARATELY.
EXTRA FLING WAND FOR CENTER OPENING DRAPES IS SOLD SEPARATELY.

ONE WAY & CENTER DRAW

CORDED SYSTEMS



ENSEMBLE INCLUDES:
VALANCE, RETURNS, CLIC GLIDES, PULLEY & SUPPORTS.
CEILING SUPPORTS SOLD SEPARATELY.

VALANCE ENSEMBLES



URBAN 5 RETURN OPTIONS

SHOWN IN RETURN 5.5 AND IN DULL ARGENTO (DA)

RETURN 3

RETURN SIZE: 3" LENGTH X 5" HEIGHT X 1/4" WIDTH

RETURN 5.5

RETURN SIZE: 5 1/2" LENGTH X 5" HEIGHT X 1/4" WIDTH

RETURN 7.5

RETURN SIZE: 7 1/2" LENGTH X 5" HEIGHT X 1/4" WIDTH

URBAN 3 RETURN OPTIONS

SHOWN IN RETURN 5.5 AND IN BLACK (DW)

RETURN 3

RETURN SIZE: 3" LENGTH X 3" HEIGHT X 1/4" WIDTH

RETURN 5.5

RETURN SIZE: 5 1/2" LENGTH X 3" HEIGHT X 1/4" WIDTH

RETURN 7.5

RETURN SIZE: 7 1/2" LENGTH X 3" HEIGHT X 1/4" WIDTH

SUPPORTS



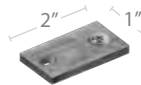
HUP6030
SUPPORT U-3
2 1/4" interior projection, from wall to valance.



HUP6050
SUPPORT U-5.5
5 7/8" interior projection, from wall to valance.



HUP6070
SUPPORT U-7.5
6 7/8" interior projection, from wall to valance.



HUP6080
URBAN CEILING SUPPORT
Available with all kits.

COLORS



Valance: complete list below
Returns: DA, DW



PAINTABLE SURFACE



AH
ASH

AU
AUTUMN

BD
BEACHWOOD

BC
BÉCHAMEL

CF
CAFÉ

DU
DUNE

LT
LATITUDE

MY
MYSTIQUE

RV
RIVA

SV
SILVA

TB
TIMBER

CV
CANVAS



SINGLE WAVE - VALANCE ROD



SINGLE WAVE - VALANCE



DOUBLE WAVE



SINGLE PLEATED DRAPE - VALANCE ROD



SINGLE PLEATED DRAPE - VALANCE

WHEN USING URBAN 3, ENSURE PLEATS DO NOT EXTEND BELOW VALANCE.



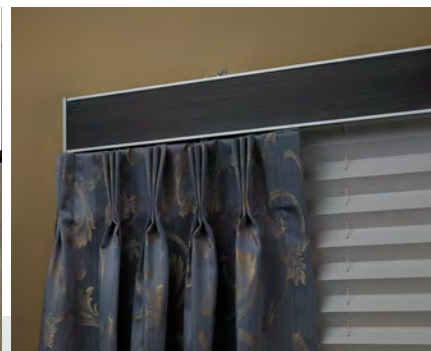
DOUBLE PLEATED DRAPE



SINGLE SHADE - VALANCE



SHADE + WAVE



SHADE + PLEATED DRAPE

COMPATIBILITY

CONFIGURATIONS	SPECIAL REQUIREMENTS	3" RETURN	5.5" RETURN	7.5" RETURN	CEILING SUPPORT (For all Return lengths)
Single Wave - valance rod	None	Yes	Yes	Best w/ 3 or 5.5" Re.	Yes
Single Wave - valance	Euro/Nexgen Rods	No	Yes	Best w/ 5.5" Return	Yes
Single Pleated Drape - valance rod	None	Yes	Yes	Best w/ 3 or 5.5" Re.	Yes
Single Pleated Drape - valance	Euro/Nexgen Rods	Yes	Yes	Best w/ 3 or 5.5" Re.	Yes
Single Shade Product - valance	1.75" Clearance	Yes (1.75" Clearance)	Yes	Best w/ 5.5" Return	Yes
Double Wave	Euro/Nexgen Rods	No	No	Yes	Yes
Double Pleated Drape	Euro/Nexgen Rods	No	Yes	Best w/ 5.5" Return	Yes
Shade + Wave Product	Verify supports	Yes (1.75" Clearance)	Yes	Best w/ 5.5" Return	Yes
Shade + Pleated Drape	Verify supports	Yes (1.75" Clearance)	Yes	Best w/ 5.5" Return	Yes

EURO-SCOPE



VISIT
WWW.CLAIREDECO.COM
 FOR ALL AVAILABLE SIZES AND OPTIONS

CORDED SYSTEMS

HAND DRAW



ENSEMBLE INCLUDES:
 RODDING, CLIC GLIDES, AND FLING WAND.

EXTRA FLING WAND FOR CENTER OPENING DRAPES IS SOLD SEPARATELY.

ONE WAY



ENSEMBLE INCLUDES:
 RODDING, CLIC GLIDES, AND PULLEY.

CENTER



EURO-SCOPE IS CLAIRE DECO'S DEFAULT BACK ROD. IT CAN ALSO BE USED AS A DOUBLE ROD SYSTEM (EURO-SCOPE UPGRADE)



USED AS A BACK ROD



AS A DOUBLE ROD SYSTEM

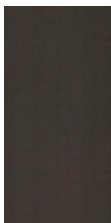
i
 Euro-scope rods offer a slim line profile for light to medium weight drapes using a low-profile aluminum rod that offers a modern and minimalist appearance.
 Euro-scope rods are finished with Perma-Glide for the smoothest traversing in the industry

i
Euro Scope is a classic curtain rod.
 Simple and light in appearance yet robust in function.
 Great choice for Double Rods!

ROD & SUPPORT COLORS



AS
 ANTIQUE SILVER



BR
 BRONZE



DW
 BLACK



W
 WHITE

TEKNO 25

1 1/8" DIAMETER



VISIT
WWW.CLAIREDECO.COM
 FOR ALL AVAILABLE SIZES AND OPTIONS

CORDED SYSTEMS

HAND DRAW

ONE WAY

CENTER



ENSEMBLE INCLUDES:
 RODDING, CLIC GLIDES, AND FLING WAND.

*EXTRA FLING WAND FOR CENTER OPENING
 DRAPES IS SOLD SEPARATELY.*



ENSEMBLE INCLUDES:
 RODDING, CLIC GLIDES, AND PULLEY.



ROD & SUPPORT COLORS



AS
 ANTIQUE SILVER



CH
 CHAMPAGNE



DW
 BLACK



MR
 MAROON



OB
 OIL RUBBED BRONZE

C-RINGS

AVAILABLE COLORS:
 AS, CH, DW, MR, OB

FINIALS



BALL 28
 HFP0048
 3 3/8" L X 2 1/8" DIA.
 Shown in Champagne



BLING
 HFP0498
 2 1/4" L X 1 3/4" DIA.
 Shown in Antique Silver



DURAND
 HAP0778
 3 1/8" L X 2 3/8" DIA.
 Shown in Maroon



EMPIRE
 HFP0548
 7/8" L X 1 5/8" DIA.
 Shown in Black



JIBOO
 HAP0758
 3 1/2" L X 2" DIA.
 Shown in Antique Silver



LINEA
 HFP0568
 4" L X 2 1/8" DIA.
 Shown in Champagne



OVAL 28
 HFP0468
 2 1/8" L X 2 1/8" DIA.
 Shown in Black



TRANS LU
 HFP0538
 4" L X 2 1/8" DIA.
 Shown in Oil Rubbed Bronze

i
Tekno 25
 The beauty of wrought iron with the functionality of technical engineering.
 Tekno 25 is one of several rod choices for bay windows.
 Please see page 18 or clairedeco.com for options.

TEKNO 40 WOOD

1 1/2" DIAMETER



Visit WWW.CLAIREDECO.COM
FOR ALL AVAILABLE SIZES AND OPTIONS

CORDED SYSTEMS

HAND DRAW



ENSEMBLE INCLUDES:
RODDING, CLIC GLIDES, AND FLING WAND.

*EXTRA FLING WAND FOR CENTER OPENING
DRAPES IS SOLD SEPARATELY.*

ONE WAY



ENSEMBLE INCLUDES:
RODDING, CLIC GLIDES, AND PULLEY

CENTER DRAW



COLORS



BW
BARNWOOD

CS
CASSIS

CL
CHOCOLATE

CT
COTTON

DK
DUSK

E
EBONY

I
IVORY

MC
MONACO



HTP0014
TEKNO 40 ENDCAP
1/2" length x 1 5/8" diameter
Shown in Vintage Brass



MD
MIDNIGHT

PR
PEARL

SM
SMOKE

TR
TRUFFLE

WF
WINTER

T40
TORRIFIED 40

T80
TORRIFIED 80



HTP0304
TEKNO 40 GARIBALDI
3 3/4" length x 2 5/8" diameter
Shown in Antique

FINIALS



A
ANTIQUE

BN
BURNT NICKLE

CR
CHROME

G
GRAPHITE

SH
SAHARA

S
STAINLESS

VB
VINTAGE BRASS



TORRIFIED WOOD

The T40 & T80 rods bring an aromatic forest into your home.

Chemical free, rich colors & a natural wood smell.

NATURAL KNOTS AND COLOR VARIATIONS MAY APPEAR.

TEKNO 40

1 1/2" DIAMETER



Visit
WWW.CLAIREDECO.COM
 FOR ALL AVAILABLE SIZES AND OPTIONS

CORDED SYSTEMS

HAND DRAW



ENSEMBLE INCLUDES:
 RODDING, NEXGEN GLIDES, AND FLING WAND.

EXTRA FLING WAND FOR CENTER OPENING DRAPES IS SOLD SEPARATELY.

ONE WAY



ENSEMBLE INCLUDES:
 RODDING, NEXGEN GLIDES, AND PULLEY

CENTER DRAW



COLORS



AS
 ANTIQUE SILVER



DW
 BLACK



MR
 MAROON



SD
 SANDAL



SN
 SIENNA

FINIALS



ARON
 SHOWN IN SIENNA
 HTP0204



CENTRALIA
 SHOWN IN SANDAL
 HTP0214



ELFIN
 SHOWN IN MAROON
 HTP0284



GARIBALDI
 SHOWN IN ANTIQUE SILVER
 HTP0304



MELROSE
 SHOWN IN ANTIQUE SILVER
 HTP0274



TAMA 40
 SHOWN IN DISTRESSED WOOD
 HTP0294



TAPPO 40
 SHOWN IN SIENNA
 HTP0264



Tekno 40 is classical large scale opulent beauty with rich colors.

Strong, robust and perfect for heavy curtains.

NEXGEN



CORDED SYSTEMS

HAND DRAW



ENSEMBLE INCLUDES:
RODDING, NEXGEN GLIDES, AND FLING WAND.

EXTRA FLING WAND FOR CENTER OPENING DRAPES IS SOLD SEPARATELY.

ONE WAY



ENSEMBLE INCLUDES:
RODDING, NEXGEN GLIDES, AND PULLEY

CENTER DRAW



COLORS



BR
BRONZE

AS
ANTIQUÉ SILVER

W
WHITE

DW
BLACK

OPTIONAL ENDCAP



BR
BRONZE

AS
ANTIQUÉ SILVER

W
WHITE

DW
BLACK

HTP00170
NEXGEN ENDCAP

i
Your basic traverse rod for heavy duty work.

Unyielding function with a simple twist of refinement.

Add color to your Nexgen for more style and design!



S
STAINLESS

BA
BRUSHED
ALUMINIUM

K
BLACK

Z
ZEBIRANO

AU
AUTUMN

BC
BECHAMEL

E
EBONY

P
PEWTER

R
ROUGE

SM
SMOKE

COLORS



i Shown on Bronze rail. Rail also available in Antique Silver, White and Black.

Available with Nexgen and Nexgen Applique



To create a double rod, order two single rods with quantity of supports needed.

DOUBLE ROD



HMP6260
HD DOUBLE ADJUSTABLE
Front Rod :
6 3/4" to 8" adj.
projection (wall to rod)
Back Rod:
5/8" to 2" adj.
projection (wall to rod)



HMP6240
HD DOUBLE SUPPORT
Front Rod :
5" projection (wall to rod)
Back Rod:
5/8" to 2" adj.
projection (wall to rod)

NEXGEN APPLIQUE



Questions?
Comments?
Need help?

Visit
clairedeco.com

Call us
514-340-1250
or
1-800-361-4584

Send us an
email
info@
clairedecoinc
.com

TEKNO 25

HFP7018
CORNER 28
From 90 - 180°

FLEXIBLE CORNER PIVOTS FROM 90 TO 180 DEGREES.
CARRIERS DO NOT TRAVERSE THE CORNER.

 AVAILABLE COLORS: AS, CH, DW, MR, OB



KONTUR EVO



FLEX CORNER
ALLOWS RAILS TO MEET AT 10 TO 80°
Drapes will not traverse corner

 AVAILABLE COLORS FLEX AND REVERSE CORNERS: A, BN, CR, G, S, SH, VB



REVERSE CORNER
FOR 90° CORNERS
Drapes will not traverse corner

KONTUR ALU



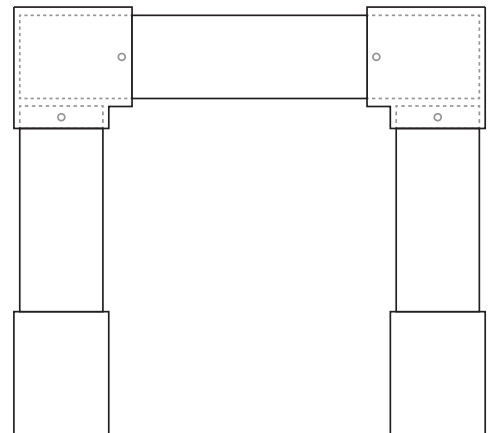
FLEX CORNER
ALLOWS RAILS TO MEET AT 10 TO 80°
Drapes will not traverse corner



REVERSE CORNER
FOR 90° CORNERS
Drapes will not traverse corner

 AVAILABLE COLORS FLEX AND REVERSE CORNERS: AS, DW, HV, OB, TA, W

KONTUR Evo & ALU REVERSE CORNER
Deduct 1" from lateral rods





SIMPLICITÉ



HFP7018
CORNER 28
From 90° - 180°

FLEXIBLE CORNER PIVOTS FROM 90 TO 180 DEGREES.
RINGS DO NOT TRAVERSE THE CORNER.

AVAILABLE COLORS: A, CR, DW, OB, S

FLEXIBLE CORNER PIVOTS FROM 90 TO 180 DEGREES.
RINGS DO NOT TRAVERSE THE CORNER.

SAN FRANCISCO CORNER - ADJUSTABLE (5/8" - 1/2")

i Ensembles include:
(1) adjustable wall rod, (2) adjustable wing rods,
(2) San Francisco Corners, (4) supports
(Finials Sold separately)

CODE	WALL ROD	WING RODS
HAA2818	28" - 48"	18" - 32"
HAA2828	28" - 48"	28" - 48"
HAA4818	48" - 84"	18" - 32"
HAA4828	48" - 84"	28" - 48"
HAP7707	SAN FRANCISCO CORNER 5/8" DIAMETER	



FLEXIBLE CORNER PIVOTS FROM 90 TO 180 DEGREES

AVAILABLE COLORS: A, K, S

SAN FRANCISCO INFINITE - WROUGHT IRON 3/4"



FLEXIBLE CORNER PIVOTS
FROM 90 TO 180 DEGREES

HAP7707 - 5/8"
HFP7702 - 3/4"
SAN FRANCISCO CORNER

AVAILABLE COLORS: A, K, P



HFP7017 - 5/8"
HFP7012 - 3/4"
NYLON PLUG

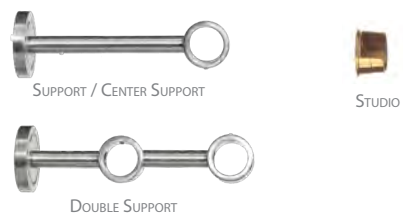
SIMPLICITÉ

STYLE	CODE
STAHL SUPPORT 2"	HFP6128
STAHL SUPPORT 4"	HFP6148
STAHL SUPPORT 6"	HFP6178
COMBO SUPPORT SELECT 28	HAM6008
LATERAL SUPPORT 28	HFP6168
TEKNO DOUBLE SUPPORT 4"	HTP6228
TEKNO DOUBLE SUPPORT 6"	HTP6238



BRASS 1"

STYLE	CODE
STUDIO (INSIDE MOUNT) SUPPORT 2"	HBP6605
SUPPORT 4 3/4"	HBP6405
CENTER SUPPORT 2"	HBP6225
CENTER SUPPORT 4 3/4"	HBP6425
DOUBLE SUPPORT	HBP6505



BRASS 1 1/8"

STYLE	CODE
CENTER SUPPORT 3"	HBP6328
CENTER SUPPORT 4 7/8"	HBP6528
CENTER SUPPORT 7 1/4"	HBP6818
STUDIO 1 1/8"	HBP6608
SUPPORT 3"	HBP6308
SUPPORT 4 7/8"	HBP6508
SUPPORT 7 1/4"	HBP6808



BRASS 1 1/2"

STYLE	CODE
SUPPORT 5"	HBP6274
CENTER SUPPORT 5"	HBP6284



WROUGHT IRON 3/4"

STYLE	CODE
ADJUSTABLE SUPPORT 18	HFP6462
DOUBLE COMBO 18	HFP6472
GORDIAN SUPPORT	HFP6482
LATERAL SUPPORT 18	HFP6162
NIRVANA SUPPORT	HFP6032
SCOPIC SUPPORT 2"	HFP6122
SCOPIC SUPPORT 4"	HFP6142
SCOPIC SUPPORT 6"	HFP6172
STYLIZED COMBO 18	HFP6432



WROUGHT IRON 1"

STYLE	CODE
AVALON SUPPORT	HFP6485
ELYPTIC SUPPORT 2"	HFP6125
ELYPTIC SUPPORT 4"	HFP6145
ELYPTIC SUPPORT 6"	HFP6175
DOUBLE COMBO 25	HFP6475
GINSA SUPPORT 1"	HFP6035
LATERAL SUPPORT 25	HFP6165
STYLIZED COMBO 25	HFP6435



METRO 1 1/8"

STYLE	CODE
LATERAL SUPPORT 28	HFP6168
STAHL SUPPORT 2"	HFP6128
STAHL SUPPORT 4"	HFP6148
STAHL SUPPORT 6"	HFP6178



WROUGHT IRON 1 1/2" (FUSION 40)

STYLE	CODE
ADJUSTABLE SUPPORT 40	HFP6024
LATERAL SUPPORT 40	HFP6164
RUSTICA SUPPORT	HFP6104
VERSA 40 SUPPORT 2"	HFP6124
VERSA 40 SUPPORT 4"	HFP6144
VERSA 40 SUPPORT 6"	HFP6174



i
VISIT OUR WEBSITE
 All of our current and most up-to-date colors options as well as all the support options for your choice of rodding are available on our website.
 See it all at clairedeco.com

EUROSCOPE



STYLE	CODE
CEILING CLIP	HMP6010
SHORT SUPPORT	HMP6050
REGULAR WALL SUPPORT	HMP6040
LONG WALL SUPPORT	HMP6030
DOUBLE SUPPORT	HMP6221

TEKNO 25



STYLE	CODE
LATERAL SUPPORT 28	HFP6168
TEKNO SUPPORT 2"	HTP6025
TEKNO SUPPORT 4"	HTP6045
TEKNO SUPPORT 6"	HTP6065
TEKNO CEILING SUPPORT 2"	HTP6058
TEKNO CEILING SUPPORT 4"	HTP6068
TEKNO DOUBLE SUPPORT 4"	HTP6228
TEKNO DOUBLE SUPPORT 6"	HTP6238
TEKNO FORTE 6"	HTP6365

INVISIBLE



STYLE	CODE
L BRACKET SHORT	HMP6110
CEILING SIMPLE	HMP6120
TEKNO SUPPORT 2"	HTP6025
TEKNO SUPPORT 4"	HTP6045
TEKNO SUPPORT 6"	HTP6065
TEKNO FORTE 6"	HTP6365

TEKNO 40



STYLE	CODE
LATERAL SUPPORT 40	HFP6164
TEKNO 2"	HTP6025
TEKNO 4"	HTP6045
TEKNO 6"	HTP6065
KONTUR CEILING SUPPORT	HTP6010
TEKNO FORTE 6"	HTP6365

TEKNO 40 WOOD



STYLE	CODE
LATERAL SUPPORT 40	HFP6164*
T40 WOOD CEILING SUPPORT	HTP6014
T40 WOOD SUPPORT 2"	HTP6024
T40 WOOD SUPPORT 4"	HTP6044
T40 WOOD SUPPORT 6"	HTP6064

KONTUR ALU



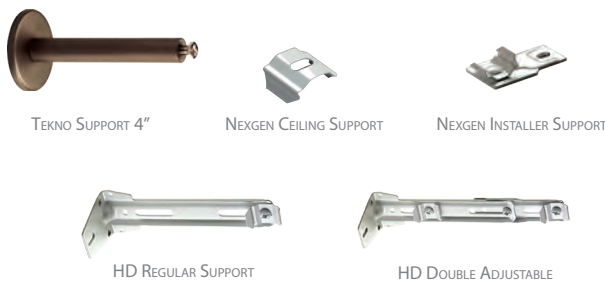
STYLE	CODE
KONTUR CEILING SUPPORT	HTP6010
TEKNO SUPPORT 2"	HTP6025
TEKNO SUPPORT 4"	HTP6045
TEKNO SUPPORT 6"	HTP6065
TEKNO FORTE 6"	HTP6365

KONTUR EVO



STYLE	CODE
KONTUR CEILING SUPPORT	HTP6010
KONTUR WALL SUPPORT 2"	HTP6020
KONTUR WALL SUPPORT 4"	HTP6040
KONTUR WALL SUPPORT 6"	HTP6060

NEXGEN & NEXGEN APPLIQUE



STYLE	CODE
TEKNO 2"	HTP6025
TEKNO 4"	HTP6045
TEKNO 6"	HTP6065
TEKNO FORTE 6"	HTP6365
NEXGEN CEILING SUPPORT	HMP6210
NEXGEN INSTALLER SUPPORT	HMP6220
HD REGULAR SUPPORT	HMP6320
HD DOUBLE SUPPORT	HMP6240
HD ADJUSTABLE SUPPORT	HMP6250
HD DOUBLE ADJUSTABLE	HMP6260



VISIT
OUR
WEBSITE

All of our current and most up-to-date colors options as well as all the support options for your choice of rodding are available on our website.

See it all at clairedeco.com

CARRIERS & WANDS



HMP5010
CLIC GLIDE SYSTEM
Glides simply clic into rail



HMP5020
BALL BEARING CARRIER



HMP5012
NEXGEN GLIDE



HMP5610
DELUXE CARRIER



HMP7020
END STOP CLIC
Adjustable end stop blocks glides at any position on rail



HMP7360 - 36"
HMP7480 - 48"
HMP7600 - 60"
HMP7720 - 72"
ALUMINIUM FLING WANDS



AVAILABLE COLORS:
BR, DA

Wave Drape is available for Nexgen, Tekno 40, Nexgen Wood.
See page 18 for product codes and details.

COMPATIBILITY

Rods longer than **106"** will be shipped in two equal lengths.
One piece can be requested.
Extra shipping charges apply.

Rod length	36"	48"	60"	72"	84"	96"	106"	120"	132"	144"	156"	168"	180"
Glides	12	16	20	24	28	32	36	40	44	48	52	56	60
Supports	2	2	2	3	3	3	4	5	5	5	5	5	5
Splice	0	0	0	0	0	0	0	1	1	1	1	1	1

EURO-SCOPE UPGRADE



EURO-SCOPE UPGRADE

ENSEMBLE INCLUDES:

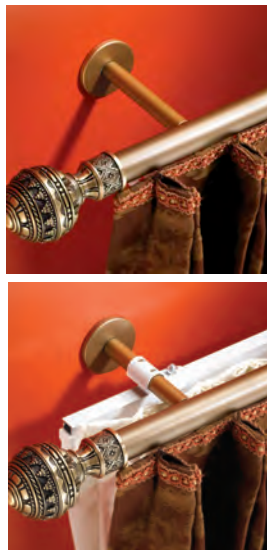
RODDING, CARRIERS AND ALL NECESSARY MOUNTING HARDWARE.

Euro-Scope rod hangs below front rod.

Make Euro-scope drape a minimum of 3/4" shorter than front drape.

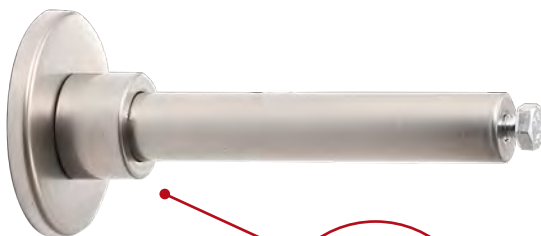


AVAILABLE COLORS: BR, DA, F, W



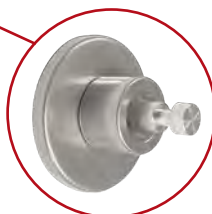
Technical diagrams for Euro-scope Upgrade **page 25.**

TEKNO FORTE



TEKNO FORTE 6" - HTP6365

- ADD EXTRA STRENGTH
- STOPS CANTILEVER EFFECT
- CAN BE ADDED RETROACTIVELY



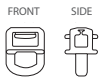
1" EXTENSION



TEKNO 1" EXTENSION - HFP4017

- WHEN YOU NEED JUST AN EXTRA INCH FOR A LITTLE EXTRA PROJECTION
- EASILY ATTACHES TO ALL TEKNO SUPPORTS
- AVAILABLE IN ALL TEKNO COLORS

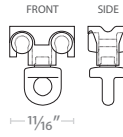
CLIC GLIDE
3/16" pin height



WAVE CARRIER
1/4" pin height



TEKNO CARRIER
1/4" pin height

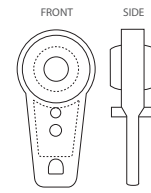


NEXGEN GLIDE
3/4" pin height



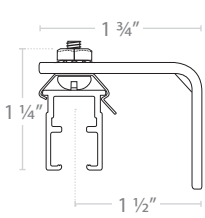
TEKNO CARRIERS

BALL BEARING CARRIER
5/8" pin height

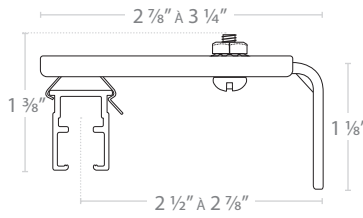


i Pin height measurements are to top of rail.
Add 1 1/8" to cover Nexgen rail.
Add 7/8" to cover Euro-scope.

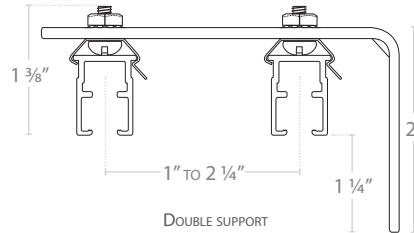
EURO-SCOPE



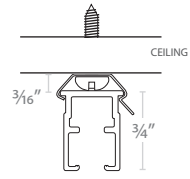
SHORT SUPPORT



ADJUSTABLE SUPPORT

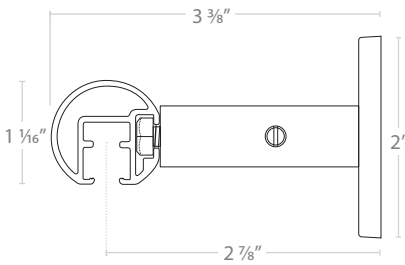


DOUBLE SUPPORT

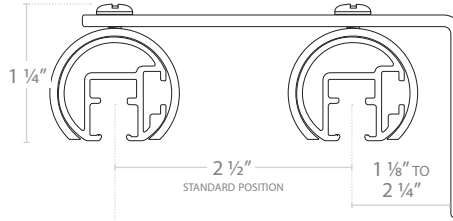


CEILING SUPPORT

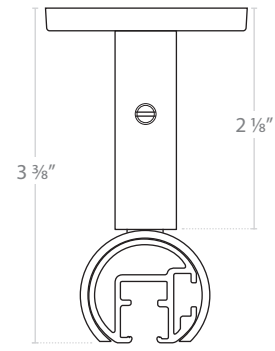
TEKNO 25



TEKNO 2" SUPPORT

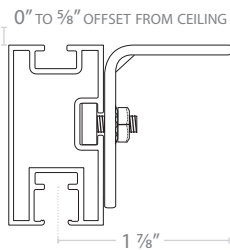


TEKNO 4" SUPPORT

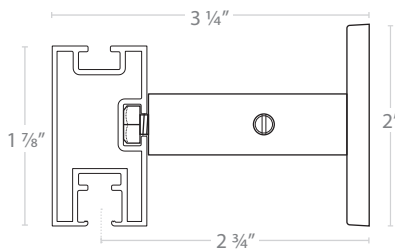


TEKNO CEILING SUPPORT

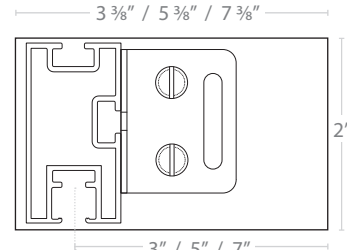
KONTUR EVO & ALU



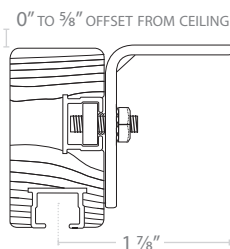
ALU CEILING SUPPORT



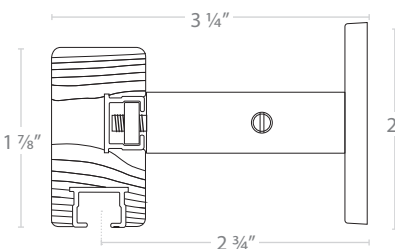
ALU WALL SUPPORT



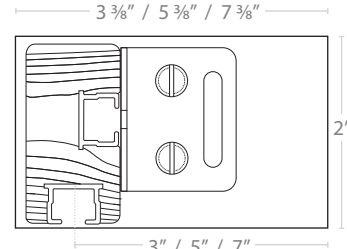
ALU QUADRA RETURN 2 / 4 / 6



EVO CEILING SUPPORT

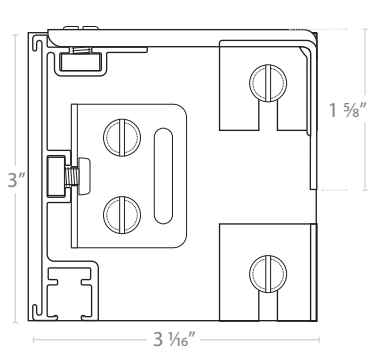


EVO WALL SUPPORT

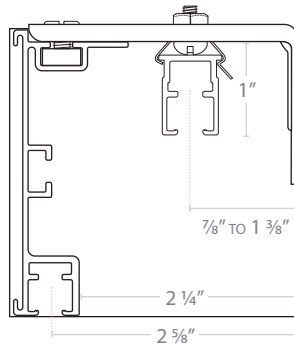


EVO QUADRA RETURN 2 / 4 / 6

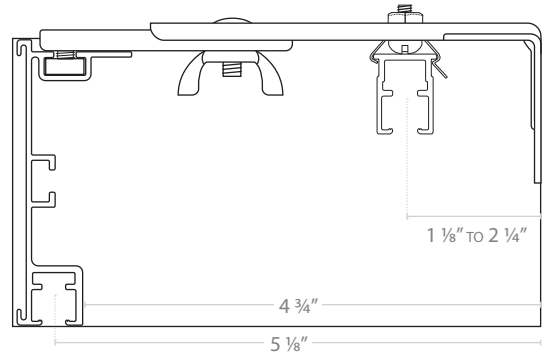
URBAN 3 & 5



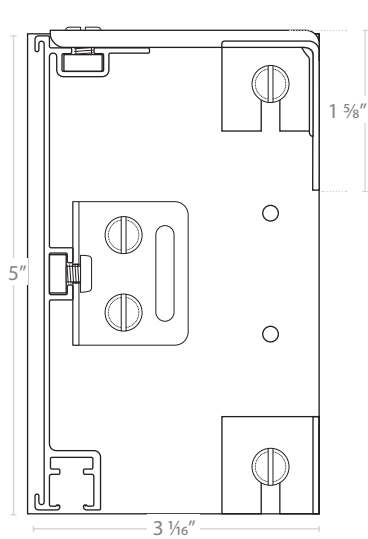
URBAN 3 RETURN 3
Showing all hardware



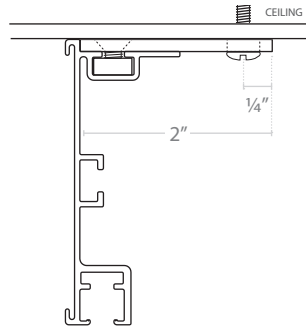
URBAN 3 RETURN 3
With Euro-Scope upgrade



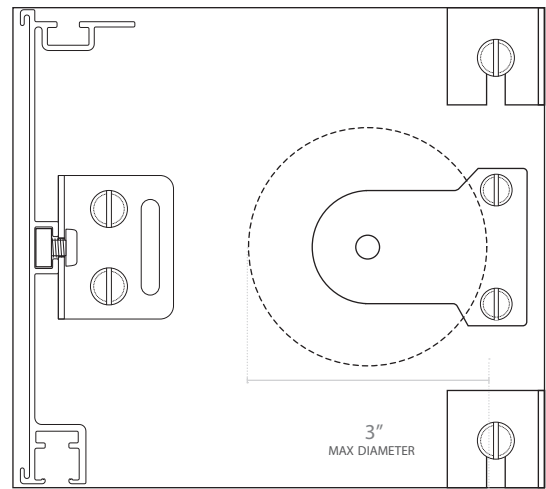
URBAN 3 - RETURN 5.5
With Euro-Scope upgrade



URBAN 5 RETURN 3
Showing all hardware

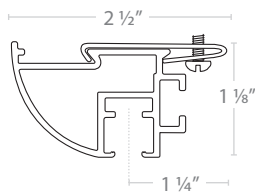


URBAN 3 CEILING SUPPORT

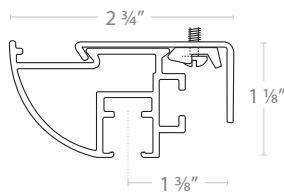


URBAN 5 - RETURN 5.5
Shade installation

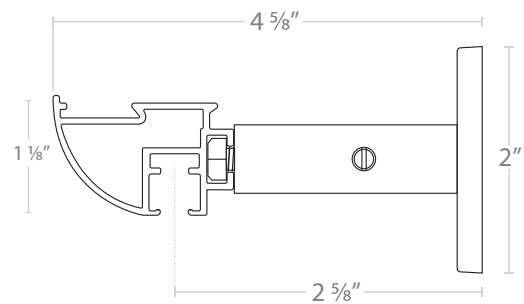
INVISIBLE



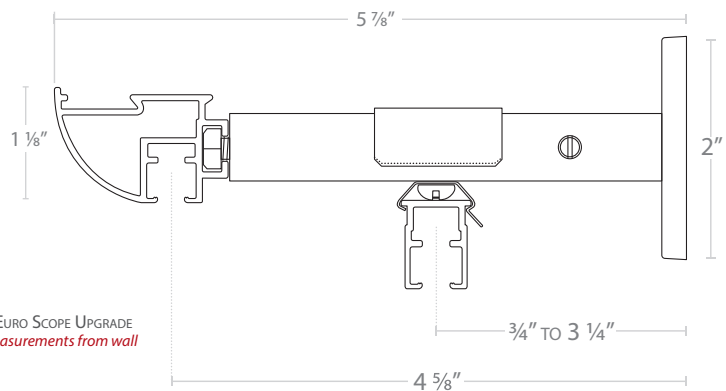
INVISIBLE CEILING CLIP



INVISIBLE SHORT PROJECTION SUPPORT

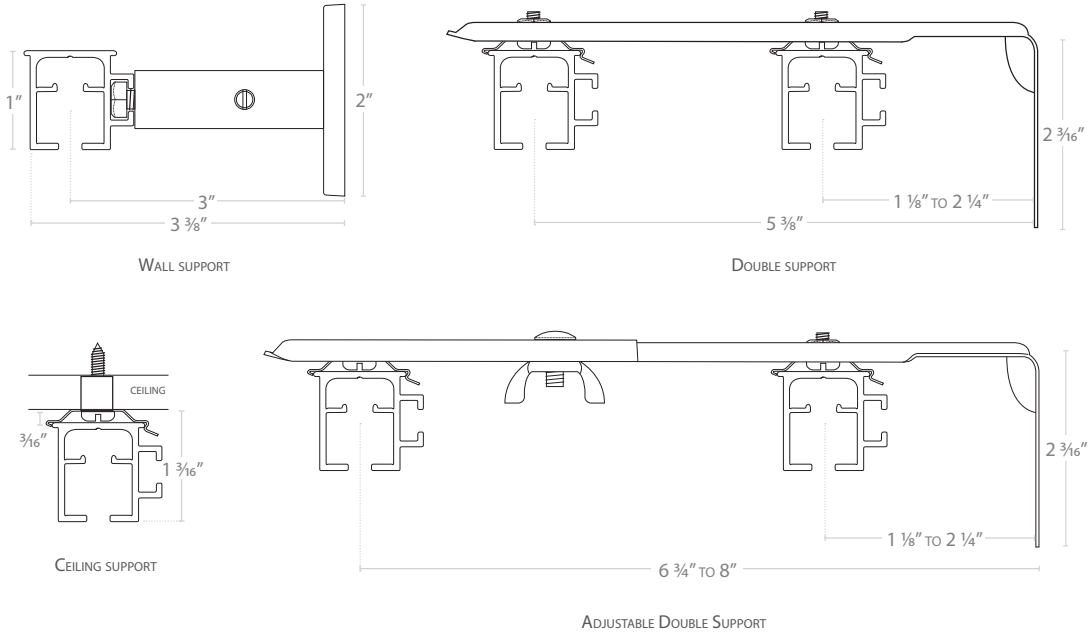


INVISIBLE TEKNO 2" PROJECTION
for Tekno 4" - add 2" for measurements from wall

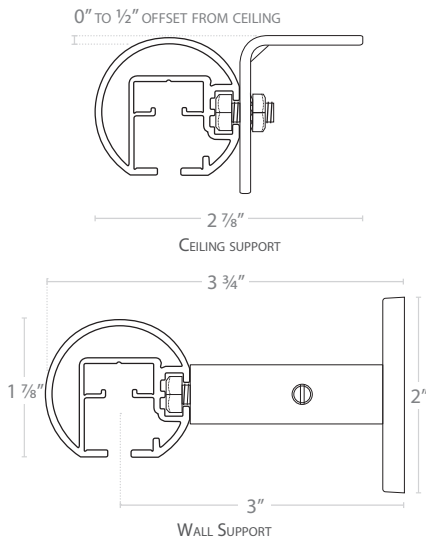


INVISIBLE TEKNO 4" PROJECTION WITH EURO SCOPE UPGRADE
for Tekno 6" projection - add 2" for measurements from wall

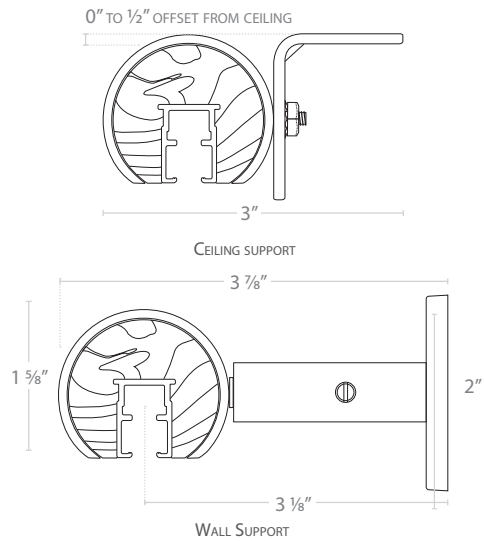
NEXGEN



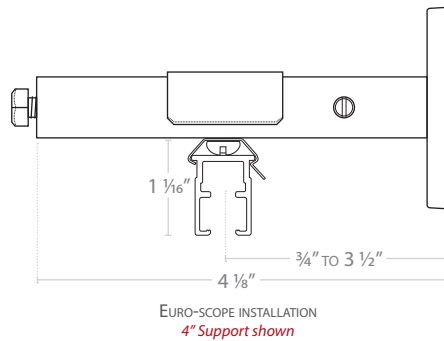
TEKNO 40



TEKNO 40 WOOD



EURO-SCOPE UPGRADE



i Make Back drape a minimum of 3/4" shorter than front drape.

Offset between Euro-Scope Upgrade & front rod.

KONTUR EVO & ALU	7/16"
TEKNO 40	1/4"
NEXGEN, NEXGEN WOOD, TEKNO 25, TEKNO 40 WOOD, INVISIBLE	1/2"

SIMPLICITÉ

1 1/8" DIAMETER



AERONAUT

HAP0658
3 1/2" L x 2" DIA.

Shown in Chrome - Black - Chrome
*Available colors:
CKC, CSC, SCS



CERAMIC BALL

HAP0688
3 3/8" L x 2 1/2" DIA.

Shown in Stainless
Available colors:
CR, S



CLARICE

HAP0718
3 1/4" x 2 DIA.

Shown in Antique Silver
Available colors:
A, AS, DW



DELAUNY

HAP0728
3" x 2" DIA.

Shown in Antique
Available colors:
A, AS, DW



DIGITAL

HAP0598
3" L x 1 3/8" DIA.

Shown in Stainless
Available colors:
CR, DW, OB, S



DURAND

HAP0778
3" x 2 1/4" DIA.
Shown in Stainless
Available colors:
A, DW, S



EMPIRE

HFP0548
7/8" L x 1 5/8" DIA.
Shown in Chrome
Available colors:
CR, DW, OB, S



GEMSTONE

HAP0588
3 3/4" L x 2 1/8" DIA.
Shown in Black
Available colors:
CR, DW, OB, S



JIBOO

HAP0758
3 1/4" x 2" DIA.
Shown in Antique
Available colors:
A, DW, S



JOFFRE

HAP0608
4" L x 2 1/8" DIA.
Shown in Antique Silver
Available colors:
AS, DW, OB



LALIQUE

HAP0678
2 1/8" L x 2" DIA.
Shown in Black
Available colors:
AS, DW, OB



LEPAPE

HAP0738
2 7/8" x 2 1/4" DIA.
Shown in Antique Silver
Available colors:
A, AS, DW



LINEA

HFP0568
4" L x 2 1/8" DIA.
Shown in Stainless
Available colors:
CR, DW, OB, S



MERCADO

HAP0668
2 5/8" L x 2 3/8" DIA.
Shown in Black
Available colors:
AS, DW, OB



MUSKOKA

HAP0628
3 7/8" L x 2 3/8" DIA.
Shown in Oil Rubbed Bronze
Available colors:
AS, DW, OB



NOUVEAU CLASSIQUE

HAP0748
3 1/4" x 3" DIA.
Shown in Antique Silver
Available colors:
A, AS, DW



SILESTE

HAP0578
2 1/8" L x 2" DIA.
Shown in Chrome
Available colors:
CR, S



TAMA

HAP0638
3 3/8" L x 2 1/4" DIA.
Shown in Oil Rubbed Bronze
Available colors:
AS, DW, OB



TRANS LU

HFP0538
4" L x 2 1/8" DIA.
Shown in Stainless
Available colors:
CR, DW, OB, S



VENICE

HAP0708
3 1/2" L x 2 1/8" DIA.
Shown in Oil Rubbed Bronze
Available colors:
CR, DW, OB, S



VERSAILLES

HAP0698
2 1/8" L x 2 3/8" DIA.
Shown in Chrome
Available colors:
CR, DW, OB, S



Your basic traverse rod for heavy duty work.

ADDITIONAL COLORS

Please see clairedeco.com in the Simplicité Box Set section for options.



COLORS AND RODDING

i Please see www.clairedeco.com in the Simplicité Box Set section for options

AVAILABLE COLORS



A
ANTIQUÉ



CR
CHROME



DW
DISTRESSED WOOD (BLACK)



OB
OIL RUBBED BRONZE



S
STAINLESS

COLOR FOR CERTAIN FINIALS ONLY



AS
ANTIQUÉ SILVER
PAIRS WITH STAINLESS ROD



FB
FLAT BRONZE



GM
GUN METAL

*AERONAUT COLOR CODES

- CKC - CHROME, BLACK, CHROME
- CSC - CHROME, STAINLESS, CHROME
- SCS - STAINLESS, CHROME, STAINLESS

ROD LENGTHS

- HATS3488 - 48"
- HATS3608 - 60"
- HATS3728 - 72"
- HATS3968 - 96"

i Set Length - Factory will NOT cut rodding

CORNER PROGRAM



HFP7018
CORNER 28
From 90° - 180°

AVAILABLE COLORS



A
ANTIQUÉ



CR
CHROME



DW
DISTRESSED WOOD (BLACK)



OB
OIL RUBBED BRONZE



S
STAINLESS



ADJUSTABLE ROD KITS

5/8" - 1/2" DIAMETER



ADRIA	ANTELOPE	BALL	CODA	LARGE BALL	RENAISSANCE	TORCH
HAA1609 3 7/8" L x 2" DIA. <i>Shown in Black</i>	HAA1626 4 1/2" L x 2 1/2" DIA. <i>Shown in Antique</i>	HAA1616 1 1/2" L x 1" DIA. <i>Shown in Stainless</i>	HAA1628 5 1/8" L x 2" DIA. <i>Shown in Antique</i>	HAA1606 2 3/4" L x 2" DIA. <i>Shown in Antique</i>	HAA1621 4 7/8" L x 2 1/2" DIA. <i>Shown in Stainless</i>	HAA1614 5 1/2" L x 2" DIA. <i>Shown in Antique</i>



Available colors
Rods & finials



A
ANTIQUE



DW
BLACK



S
STAINLESS

KITS

Ensembles include:

Adjustable rod, finials & regular Combo Supports

Doublette ensembles include:
Back bracket & adjustable back rod.

	ADRIA	ANTELOPE	BALL	CODA	LARGE BALL	RENAISSANCE	TORCH	DOUBLETTE	ROD KITS
Pair of finials	HAA1609	HAA1626	HAA1616	HAA1628	HAA1606	HAA1621	HAA1614	-	-
28" - 48"	HAA2409	HAA2267	HAA2416	HAA2287	HAA2406	HAA2421	HAA2414	HAA2400	HAA1624
48" - 84"	HAA8409	HAA8267	HAA8416	HAA8287	HAA8406	HAA8421	HAA8414	HAA8400	HAA1684
66" - 120"	HAA6609	HAA6267	HAA6616	HAA6287	HAA6606	HAA6621	HAA6614	HAA6600	HAA1666
Tieback ensemble	HAA4509	HAA4267	HAA4516	HAA4287	HAA4506	HAA4521	HAA4514	-	-

SWING ARM

LENGTHS	ADRIA	ANTELOPE	BALL	CODA	LARGE BALL	RENAISSANCE	TORCH	NO FINIAL
14" - 22"	HAA5509	HAA5526	HAA5516	HAA5528	HAA5506	HAA5521	HAA5514	HAA5500
28" - 36"	HAA5609	HAA5626	HAA5616	HAA5628	HAA5606	HAA5621	HAA5614	HAA5600



CURVED ROD



LENGTHS	28" - 48"	48" - 84"	66" - 120"
CODE	HAA7024	HAA7048	HAA7084



OPTIONAL PRODUCT AND SUPPORT



HAM1647
DOUBLE COMBO SUPPORT
Adj. projection - wall to pole
Front rod - 3 1/2" to 5 1/4"
Back rod - 1/4" to 2 5/8"



HAM1600
SHORT COMBO SUPPORT
3 1/2" to 5 1/4" Adj. projection, wall to pole



HAM1641
SHORT COMBO SUPPORT
1 7/8" to 2 3/8" Adj. projection, wall to pole



HAM1643
LATERAL SUPPORT [PAIR]



HAA1625
RING WITH EYELET
Bag of 10



HAA1635
RING WITH PINCH CLIP
Bag of 10



HAA1645
TIEBACK [PAIR]
Finials not included

ADJUSTABLE ROD KITS

1 - 7/8" DIAMETER



CLARICE

HAP0718

3 1/4" L X 2" DIA.

Shown in Antique Silver
Available colors: AS, DW



DELAUNEY

HAP0728

3" L X 2 1/4" DIA.

Shown in Antique Silver
Available colors: AS, DW



IONIC

HAP0375

3" L X 2 1/2" DIA.

Shown in Black
Available colors: AS, DW, OB



LALIQUE

HAP0678

1 3/4" L X 3" DIA.

Shown in Black
Available colors: AS, DW, OB



LEPAPE

HAP0738

2 7/8" L X 2 1/4" DIA.

Shown in Black
Available colors: AS, DW



MERCADO

HAP0668

2 3/8" L X 2 3/8" DIA.

Shown in Black
Available colors: AS, DW, OB



MUSKOKA

HAP0628

3 7/8" L X 2 3/8" DIA.

Shown in Antique Silver
Available colors: AS, DW, OB



NOUVEAU CLASSIQUE

HAP0748

3 1/8" L X 3" DIA.

Shown in Antique Silver
Available colors: AS, DW



TAMA

HAP0638

3 5/8" L X 2 1/4" DIA.

Shown in Oil Rubbed Bronze
Available colors: AS, DW, OB

AVAILABLE COLORS



AS

ANTIQUE SILVER



DW

BLACK



OB

OIL RUBBED BRONZE

ADJUSTABLE ROD KITS

FINIALS	CLARICE	DELAUNEY	IONIC 25	LALIQUE	LE PAPE	MERCADO	MUSKOKA	N. CLASSIQUE	TAMA	DOUBLETTE
28" - 48"	HAA2715	HAA2725	HAA2375	HAA2675	HAA2735	HAA2665	HAA2625	HAA2745	HAA2635	HAA2002
48" - 84"	HAA8715	HAA8725	HAA8375	HAA8675	HAA8735	HAA8665	HAA8625	HAA8745	HAA8635	HAA8002
60" - 108"	HAA6715	HAA6725	HAA6375	HAA6675	HAA6735	HAA6665	HAA6625	HAA6745	HAA6635	HAA6002

• ENSEMBLES INCLUDE: ADJUSTABLE ROD, FINIALS AND REGULAR COMBO SUPPORTS.

• DOUBLETTE ENSEMBLES INCLUDE: BACK BRACKET AND ADJUSTABLE BACK ROD 3/4" WITH CAPS.

OPTIONAL SUPPORTS & PRODUCTS



HAM6005

COMBO SUPPORT SELECT 25

Supports are included in ensembles,
use for replacement parts only



HFP6475

DOUBLE COMBO SUPPORT 25

Adjustable projection from wall to pole
Front rod - 3" to 4 1/8"
Back rod - 1/4" to 2 5/8"



HMP7360 - 36"

HMP7480 - 48"

HMP7600 - 60"

HMP7720 - 72"

ALUMINIUM FLUNG WANDS

AVAILABLE COLORS: BR, DA



HAA5355

RING WITH CLIP

Bag of 10



HAA5255

RING WITH EYELET

Bag of 10

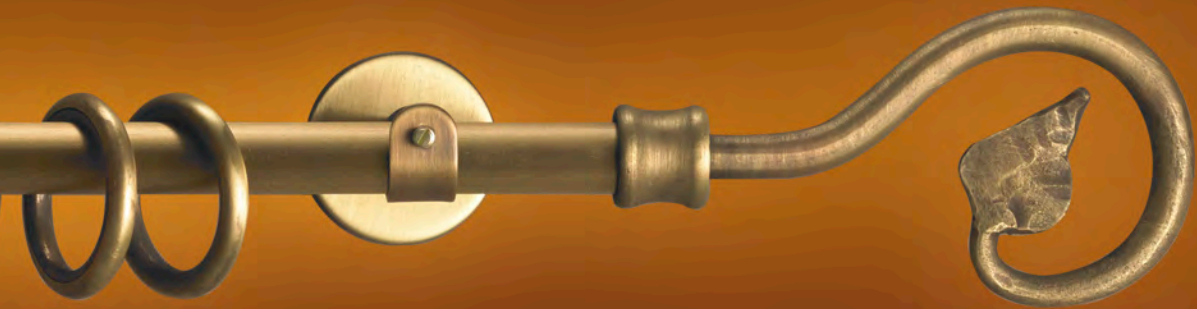


ADDITIONAL ITEMS

Please see clairedeco.com in the Adjustable Rod Kits section for more options

WROUGHT IRON

3/4" DIAMETER



							
BALLFORT HFP0032 2 7/8" L x 2" D <i>Shown in Antique</i>	BELLAGIO HFP0432 5 1/2" L x 3" D <i>Shown in Pewter</i>	BISTROT HFP0372 5 1/2" L x 3 1/4" D <i>Shown in Antique</i>	CAPUCHON 18 HFP0182 1" L x 1 3/8" D <i>Shown in Fossil</i>	DANTE HFP0412 5 1/2" L x 4 1/2" D <i>Shown in Military Black</i>	DARDUS HFP0122 7 1/4" L x 2 1/4" D <i>Shown in Pewter</i>	MAGNUM HFP0382 2 1/2" L x 1 3/4" D <i>Shown in Pewter</i>	VECTRA HFP0232 1 7/8" L x 1 3/4" D <i>Shown in Antique</i>

AVAILABLE COLORS



A
ANTIQUE



F
FOSSIL



MB
MILITARY BLACK



P
PEWTER

RODDING



HFTS3002 - STEEL TUBE

- ALL MEASUREMENTS MUST BE FOR ROD LENGTH ONLY.
- MAXIMUM LENGTH FOR A SINGLE ROD IS 96".
- AFTER 84" A CENTER SUPPORT IS REQUIRED.
- RODS GREATER THAN 96" WILL BE SHIPPED IN 2 EQUAL PIECES.

OPTIONAL PRODUCTS



HFP5558
RING 55
Use Ring Clip 56 (Sold separately)



HFP5262
STEEL RING
Use Ring Clip 48 (Sold separately) Liner included



HFP5282
STEEL RING WITH EYELET
Liner included



HBP5560
RING CLIP 56



HBP5480
RING CLIP 48



HMP7360 - 36"
HMP7480 - 48"
HMP7600 - 60"
HMP7720 - 72"
ALUMINIUM FLING WANDS

AVAILABLE COLORS: BR, DA



HFP4460
NEWTON TIEBACK
7" x 3 3/4"



HFP4462
UNI-ARM 18



HFP7100 - 39"
FUSION FLING WAND
AVAILABLE COLORS: A, F, P

i
Real hand forged wrought iron.
See page 19 for Bay Window and Corner Program options.

WROUGHT IRON

1" DIAMETER



BALL 25

HAP0295
3 3/4" L x 2 1/4" D
Shown in Antique



CAPUCHON 25

HFP0185
1" L x 1 3/8" D
Shown in Fossil



FABRIXX

HFP0485
3 3/4" L x 2 1/4" D
Shown in Antique



FLAMME 25

HFP0255
4 1/4" L x 3" D
Shown in Military Black



GRAPPA

HAP0335
3 3/4" L x 2 1/4" D
Shown in Antique



PIPER

HFP0235
1 7/8" L x 1 3/4" D
Shown in Pewter



TRINITY

HFP0385
2 1/2" L x 1 3/4" D
Shown in Antique

AVAILABLE COLORS



A
ANTIQUE



F
FOSSIL



MB
MILITARY BLACK



P
PEWTER

RODDING



HFTS3005
STEEL TUBE



HFTS3002
STEEL TUBE

Use 3/4" ONLY FOR BACK RODS WITH INFINETTE CLIPS OR DOUBLE COMBO 25

- ALL MEASUREMENTS MUST BE FOR ROD LENGTH ONLY.
- MAXIMUM LENGTH FOR A SINGLE ROD IS 96".
- AFTER 84" A CENTER SUPPORT IS REQUIRED.
- RODS GREATER THAN 96" WILL BE SHIPPED IN 2 EQUAL PIECES.

OPTIONAL PRODUCTS



HFP5558
RING 55
Use Ring Clip 56
(Sold separately)



HFP5262
STEEL RING
Use Ring Clip 48
(Sold separately)
Liner included

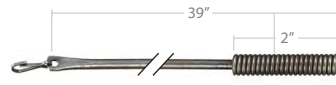


HFP5282
STEEL RING WITH EYELET
Liner included



HMP7360 - 36"
HMP7480 - 48"
HMP7600 - 60"
HMP7720 - 72"
ALUMINIUM FLING WANDS

AVAILABLE COLORS: BR, DA



HFP7100 - 39"
FUSION FLING WAND

AVAILABLE COLORS: A, F, P



HBP5560
RING CLIP 56



HBP5480
RING CLIP 48



HFP4465
UNI-ARM 25



HFP4460
NEWTON TIEBACK
7" x 3 3/4"

METRO

1 1/8" DIAMETER



BALL 28
HFP0048
3 3/8" L X 2 3/8" D
SHOWN IN BURNT NICKLE



BLING
HFP0498
2 1/4" L X 2" D
SHOWN IN SAHARA



EMPIRE
HFP0548
7/8" L X 1 3/8" D
SHOWN IN VINTAGE BRASS



LINEA
HFP0568
4" L X 2" D
SHOWN IN STAINLESS



SQUARE ENDCAP
HFP0508
2" X 3/4"
SHOWN IN SAHARA

AVAILABLE COLORS



A
ANTIQUE



BN
BURNT NICKLE



S
STAINLESS



SH
SAHARA



VB
VINTAGE BRASS

RODDING



HFTS3008
STEEL TUBE

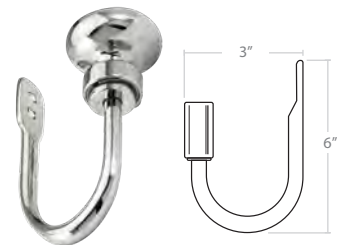
- ALL MEASUREMENTS MUST BE FOR ROD LENGTH ONLY.
- MAXIMUM LENGTH FOR A SINGLE ROD IS 96".
- AFTER 84" A CENTER SUPPORT IS REQUIRED.
- RODS GREATER THAN 96" WILL BE SHIPPED IN 2 EQUAL PIECES.

EURO-SCOPE DOUBLE ROD UPGRADE

SIZE UP TO	36"	48"	60"	72"	84"	96"	*108"	*120"	*132"	*144"	*156"
SPLICE	0	0	0	0	0	0	1	1	1	1	1
HAND DRAWN	HEH4030	HEH4040	HEH4050	HEH4060	HEH4070	HEH4080	HEH4090	HEH4100	HEH4110	HEH4120	HEH4130
ONE WAY	HEO4030	HEO4040	HEO4050	HEO4060	HEO4070	HEO4080	HEO4090	HEO4100	HEO4110	HEO4120	HEO4130
CENTER DRAW	HEC4030	HEC4040	HEC4050	HEC4060	HEC4070	HEC4080	HEC4090	HEC4100	HEC4110	HEC4120	HEC4130

* RODS LONGER THAN 106" WILL BE SHIPPED IN TWO EQUAL PIECES TO AVOID HIGH TRANSPORT COSTS, BUT CAN BE ORDERED IN ONE PIECE WITH EXTRA SHIPPING AND HANDLING CHARGES.
PLEASE SPECIFY IF ONE PIECE IS REQUESTED.

OPTIONAL PRODUCTS



HFP4468
UNI-ARM 28



HMP7360 - 36"
HMP7480 - 48"
HMP7600 - 60"
HMP7720 - 72"
ALUMINIUM FLING WANDS

AVAILABLE
COLORS:
BR, DA



HFP5458
METRO RING
Eyelet and liner included

Ensembles include: rodding, clic glides, and all necessary mounting hardware.

AVAILABLE COLORS: BR, DA, F, W



Visit clairedeco.com to see the complete assortment of different finial and rod colors.

1 1/2" DIAMETER



i Available colors for **finials** are identified in **RED TEXT**.

							
ACCENT	ARON	ELFIN	GARIBALDI	MELROSE	SINGULAR	TAMA 40	TAP
HFP0024	HTP0204	HTP0284	HTP0304	HTP0274	HFP0074	HTP0294	HFP0014
3 5/8" L x 2 1/2" D	4" L x 2 3/4" D	4" L x 2 3/4" D	3 3/4" L x 2 5/8" D	4 3/4" L x 3 1/8" D	6" L x 2 3/8" D	4 1/4" L x 2 7/8" D	1 1/2" L x 1 5/8" D
Shown in Antique A, F, P	Shown in Distressed Wood AS, DW	Shown in Antique Silver AS, DW	Shown in Pewter A, F, P	Shown in Antique Silver AS, DW	Shown in Pewter A, F, P	Shown in Distressed Wood AS, DW	Shown in Antique A, F, P

AVAILABLE COLORS



A
ANTIQUE



F
FOSSIL



P
PEWTER

COLOR FOR CERTAIN FINIALS ONLY



AS
ANTIQUE SILVER

PAIRS WITH PEWTER ROD



PAIRS WITH FOSSIL ROD

DW
DISTRESSED WOOD

RODDING



HFTS3004
STEEL TUBE

- i** ALL MEASUREMENTS MUST BE FOR ROD LENGTH ONLY.
- MAXIMUM LENGTH FOR A SINGLE ROD IS 96".
- AFTER 84" A CENTER SUPPORT IS REQUIRED.
- RODS GREATER THAN 96" WILL BE SHIPPED IN 2 EQUAL PIECES.

OPTIONAL PRODUCTS



36" / 48" / 60" / 72"

HMP7360 - 36"
HMP7480 - 48"
HMP7600 - 60"
HMP7720 - 72"
ALUMINIUM FLING WANDS

AVAILABLE COLORS:
BR, DA



HFP7100 - 39"
FUSION FLING WAND

AVAILABLE COLORS:
A, F, P



HFP5824
RING 82
Use Ring Clip 83 (sold separately)



HFP5604
STEEL RING 40
With Eyelet
Liner included



HBP5830
RING CLIP 83



HFP4400
PASSAMA TIEBACK



HFP4410
RUSTICA BALL TIEBACK

INFINETTE INSTALLATIONS

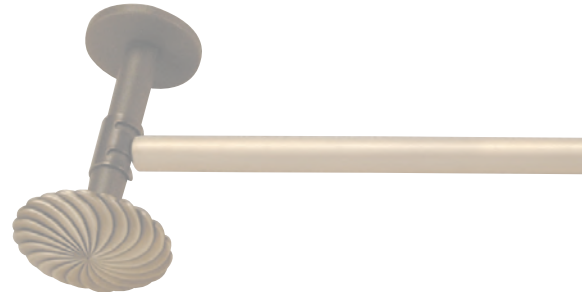


					
BUTTON	CORD	STAR	FANETTE	FORBIN	GRAPPA
HBP0300 Ø 7/8"	HFP0820 Ø 2 1/2"	HFP0740 Ø 2 7/8"	HFP0720 Ø 2 3/4"	HFP0600 Ø 3"	HFP0620 Ø 3 1/2"
					
HORIZON	LILLIANE	LOUIS XVI	LOUIS XV	MANHATTAN	PETALINE
HFP0860 Ø 2 3/4"	HFP0630 Ø 3 1/2"	HBP0390 Ø 2 5/8"	HBP0310 Ø 2 3/4"	HFP0610 Ø 3"	HFP0640 Ø 3 1/2"

AVAILABLE COLORS



RODDING



i

Medallions are a versatile product that can be used in a variety of ways and on many products.

INFINETTE CLIPS



Attaches rods to a Post Complete



Bridges rods to a Post Complete



Attaches an alternate rod to a Post Complete



Attaches an alternate rod to a Post Complete

BRASS COLLECTION

1" DIAMETER



ENDCAP 25
HBP0115
1" L x 1 1/8" D
Shown in Brass
Available colors: B, N



REGENT
HBP0015
1 7/8" L x 1 1/16" D
Shown in Nickel
Available colors: B, N



BRAVA
HBP0215
2" L x 3" D
Shown in Brass
Available colors: B, N



FUEGO
HBP0105
4 1/2" L x 2" D
Shown in Brass
Available colors: B, N

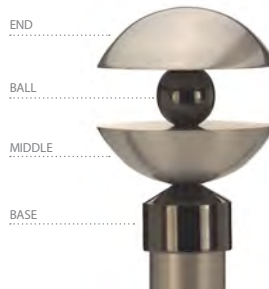
CREATE YOUR FINIALS WITH PIECES IN BRASS, NICKEL OR ONYX!



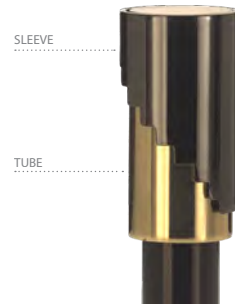
KOSMO
HBA0415
1 7/8" L x 1 1/16" D
Combination shown:
Brass, Onyx, Brass (BKB)



URBAN
HBA0445
3" L x 1 5/8" D
Combination shown:
Nickel, Brass, Nickel (NBN)



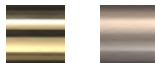
MASONIC
HBA0505
2" L x 3" D
Combination shown:
Nickel, Onyx, Nickel, Onyx (NKNK)



ESCALA
HBA0405
3" L x 1 5/8" D
Combination shown:
Onyx, Brass (KB)

AVAILABLE COLORS

FOR BRASS PRODUCTS



B BRASS
N NICKEL

FOR WOOD RODS



CM CHERRY
WN WALNUT

RODDING



HBT3005 - BRASS TUBE



HBTW3005 - WOOD POLE

- ALL MEASUREMENTS MUST BE FOR ROD LENGTH ONLY.
- MAXIMUM LENGTH FOR A SINGLE ROD IS 96".
- AFTER 84" A CENTER SUPPORT IS REQUIRED.
- RODS GREATER THAN 96" WILL BE SHIPPED IN 2 EQUAL PIECES.

OPTIONAL PRODUCTS



HBP5558
RING 55
Use Ring Clip 56
(sold separately)



HBP5560
RING CLIP 56



HBP5478
CABLE RING
Use Ring Clip 48
(sold separately)



HBP5480
RING CLIP 48



HBP4772 - 2"
HBP4774 - 3 3/8"
HBP4776 - 6"
BRAVA HOOK
Available colors: B, N



HBP4782 - 2"
HBP4786 - 6"
LIBERTY HOOK
Available color: A



HBP4792 - 2"
HBP4794 - 4"
HBP4796 - 6 3/4"
LOUIS HOOK
Available color: A



HBP4751 - 1"
HBP4752 - 1 1/2"
HBP4754 - 2"
TRADITIONAL HOOK
Available color: A

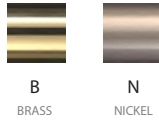
BRASS COLLECTION

1 1/8" DIAMETER

					
ENDCAP 28 HBP0208 1" L x 1 1/4" D Shown in Brass Available colors: B, N	BALBINA HBP0138 3 1/4" L x 2 3/8" D Shown in Brass Available colors: B, N	CHALICE HBP0238 2 1/2" L x 2 1/4" D Shown in Nickel Available colors: B, N	CALIENTE HBP0108 4 1/8" L x 2" D Shown in Brass Available colors: B, N	SHITAKE HBP0098 2" L x 2 1/8" D Shown in Nickel Available colors: B, N	SYLO HBP0268 2 1/4" L x 2 1/4" D Shown in Nickel Available colors: B, N
					
CORONA HBP0058 4 1/2" L x 2 1/2" D Shown in Brass Available colors: A, B	LIBERTI HBP0158 4 1/2" L x 2 3/4" D Shown in Brass Available colors: B	LOUIS XVI HBP0048 3 3/4" L x 2 5/6" D Shown in Antique Available colors: A, B	RODOPLISSÉ HBP0068 3 1/8" L x 2 1/4" D Shown in Brass Available colors: B	SHERATON HBP0168 4 1/2" L x 2 1/2" D Shown in Brass Available colors: B	TORSADE HBP0188 2 3/4" L x 2 3/4" D Shown in Brass Available colors: B

AVAILABLE COLORS

FOR BRASS PRODUCTS



B BRASS
N NICKEL

FOR WOOD RODS



CM CHERRY
WN WALNUT

RODDING



HBT3008 - BRASS TUBE



HBTW3008 - WOOD POLE

- ALL MEASUREMENTS MUST BE FOR ROD LENGTH ONLY.
- MAXIMUM LENGTH FOR A SINGLE ROD IS 96".
- AFTER 84" A CENTER SUPPORT IS REQUIRED.
- RODS GREATER THAN 96" WILL BE SHIPPED IN 2 EQUAL PIECES.

OPTIONAL PRODUCTS



HBP5558
RING 55
Use Ring Clip 56
(sold separately)



HBP5560
RING CLIP 56



HBP5478
CABLE RING
Use Ring Clip 48
(sold separately)



HBP5480
RING CLIP 48



Available colors: B, N



Available color: A



Available color: A



Available color: A

i
Real brass cannot be imitated!
Visit clairedeco.com to learn more.

BRASS COLLECTION

1 1/2" DIAMETER



BARTOLI

HBP0134
3 3/8" L x 2 1/2" D
Shown in Brass
Available colors: B, N



CALIX

HBP0144
3" L x 2 1/4" D
Shown in Nickel
Available colors: B, N



CORONET

HBP0174
3 1/8" L x 2 1/4" D
Shown in Brass
Available color: B



FACETTE

HBP0074
4 1/2" L x 2 1/2" D
Shown in Brass
Available color: B



LOUIS XV

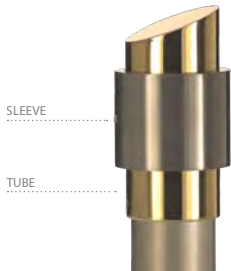
HBP0024
4 3/4" L x 2 3/4" D
Shown in Brass
Available color: B



SCEPTRE

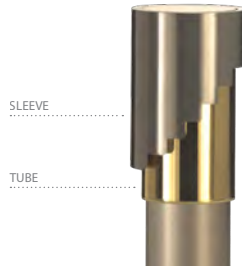
HBP0244
4 1/2" L x 2 1/2" D
Shown in Brass
Available colors: A, B

CREATE YOUR FINIALS
WITH PIECES IN
BRASS OR NICKEL!



Expo

HBA0414
4" L x 2 1/8" D
Combination shown:
Tube in Brass, Sleeve in Nickel (BN)



ESCALA II

HBA0404
3 1/2" L x 2 1/8" D
Combination shown:
Sleeve in Nickel, Tube in Brass (NB)

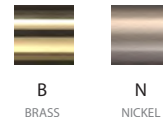


OLYMPIC

HBA0424
3 1/2" L x 2 1/8" D
Combination shown:
Tube in Nickel, Rings in Brass (NB)



AVAILABLE COLORS



B
BRASS

N
NICKEL

RODDING



HBT3004 - BRASS TUBE

- ALL MEASUREMENTS MUST BE FOR ROD LENGTH ONLY.
- AFTER 84" A CENTER SUPPORT IS REQUIRED.
- MAXIMUM LENGTH FOR A SINGLE ROD IS 96".
- RODS GREATER THAN 96" WILL BE SHIPPED IN 2 EQUAL PIECES.

OPTIONAL PRODUCTS



HBP5824

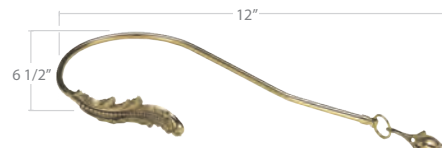
RING 82
Use Ring Clip 83
(sold separately)



HBP5830
RING CLIP 83



HBP4766
TUDOR TIEBACK
Available color: B



HBP4764.AL (LEFT)
HBP4764.AR (RIGHT)
MEDICI TIEBACK
Available color: A



HBP4772 - 2"
HBP4774 - 3 3/8"
HBP4776 - 6"
BRAVA HOOK
Available colors: B, N



HBP4782 - 2"
HBP4786 - 6"
LIBERTY HOOK
Available color: A



HBP4792 - 2"
HBP4794 - 4"
HBP4796 - 6 3/4"
LOUIS HOOK
Available color: A



HBP4751 - 1"
HBP4752 - 1 1/2"
HBP4754 - 2"
TRADITIONAL HOOK
Available color: A



True archive
pieces
bringing
history
into
your home!

Visit
clairedeco.com
to learn
more.

ARTFIL • THE ART OF SUSPENSION

AVAILABLE COLORS



B
BRASS



N
NICKEL

OPTIONAL PRODUCTS



HBP0450
CLASSIQUE CENTER SUPPORT



HBP5400
S-HOOK



HBP0350
BOLLA CENTER SUPPORT



HBP5280
RING WITH PINCH CLIP



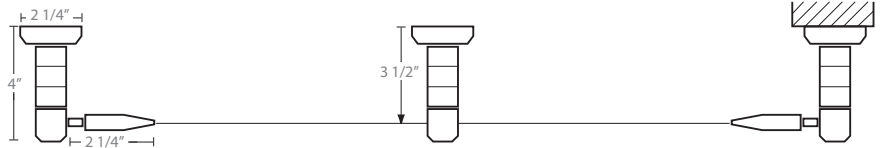
ALL KITS COME WITH 10 FEET OF WIRE.
THERE IS NO EXTRA CHARGE FOR WIRE LENGTHS UP TO 16 FEET (MUST BE REQUESTED).

ARTFIL CLASSIQUE



KIT EQUERRE - HBA9542

WALL OR CEILING INSTALLATION (CENTER SUPPORT NOT INCLUDED)
Center support is required for lengths greater than 72"



KIT CONIQUE - HBA9543

INSIDE WALL MOUNT INSTALLATION
Center support is required for lengths greater than 72"

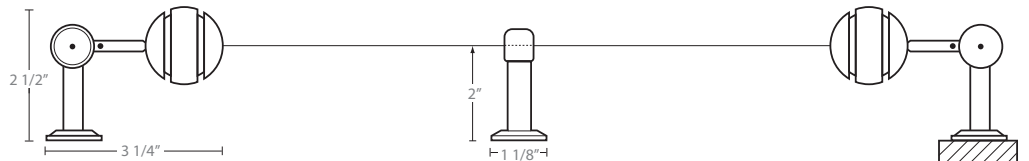


ARTFIL BOLLA



KIT EQUERRE BOLLA - HBA9433

WALL OR CEILING INSTALLATION (CENTER SUPPORT NOT INCLUDED)
Center support is required for lengths greater than 72"



KIT CONIQUE BOLLA - HBA9432

INSIDE WALL MOUNT INSTALLATION
Center support is required for lengths greater than 72"

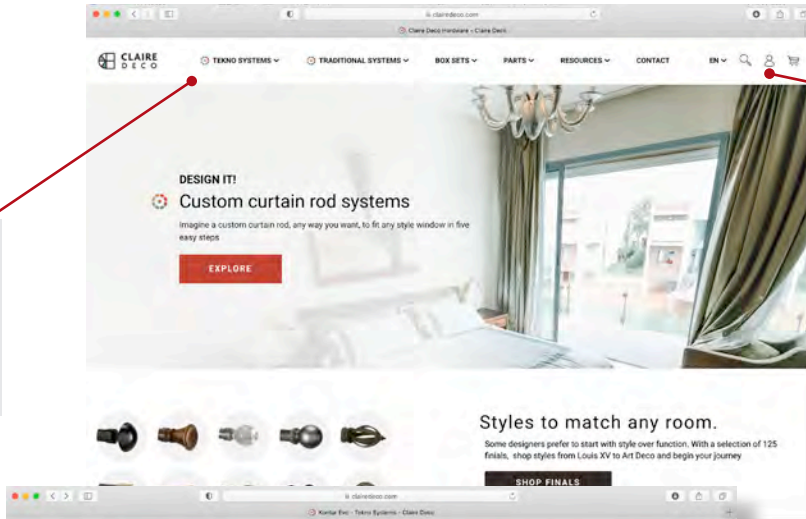


ORDER ONLINE IN FIVE EASY STEPS

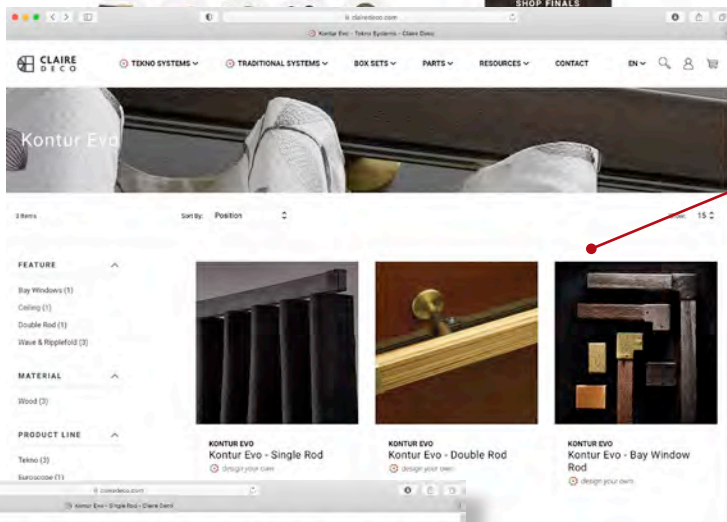
CLAIREDECO.COM

1
Log in or if it is your first time, create an account here

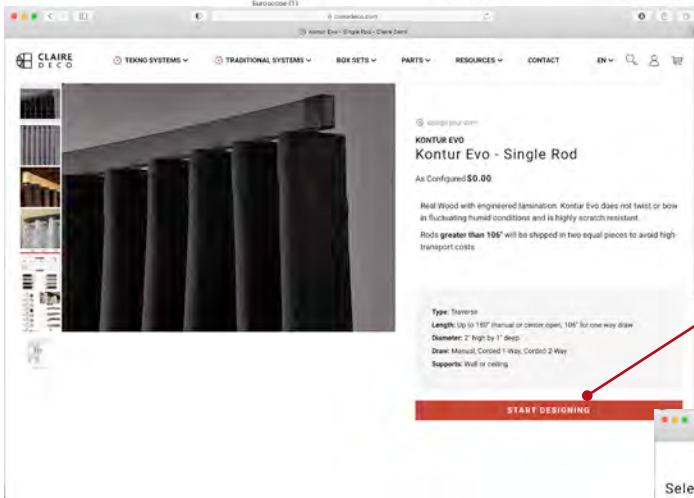
2
Pick a product



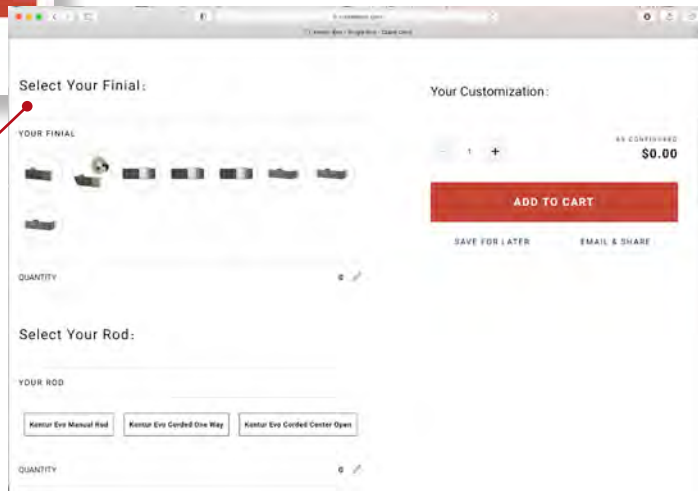
3
Pick type of product



4
Select START DESIGNING



5
Chose the finial and then follow the sequence



i

Questions?
Comments?
Need help?

Visit
clairedeco.com

Call us
514-340-1250
or
1-800-361-4584

Send us an
email
info@
clairedecoinc
.com



Claire Deco Inc.

CUSTOMER SERVICE: 1-514-340-1250 OR 1-800-361-4584

FAX 1-514-340-9423

www.clairedeco.com · info@clairedecoinc.com



Printed in North America